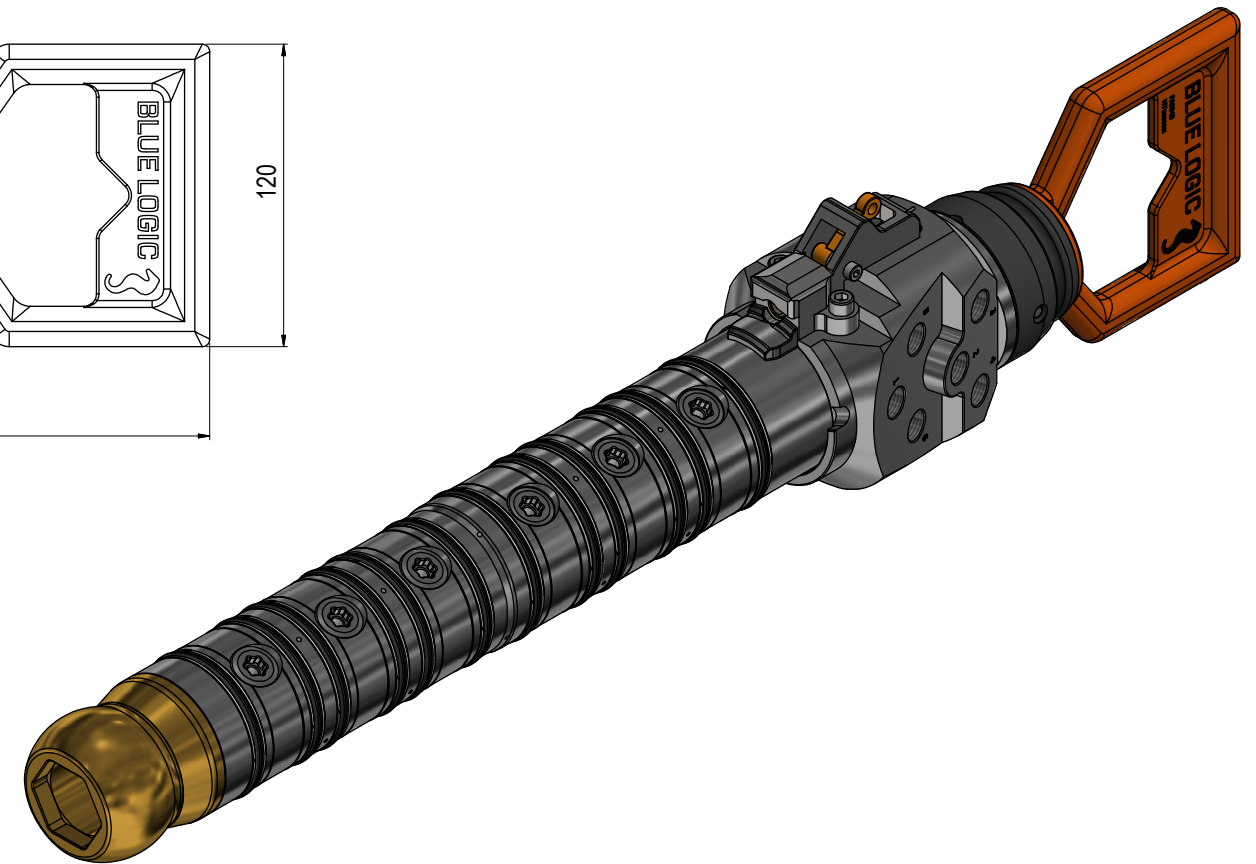
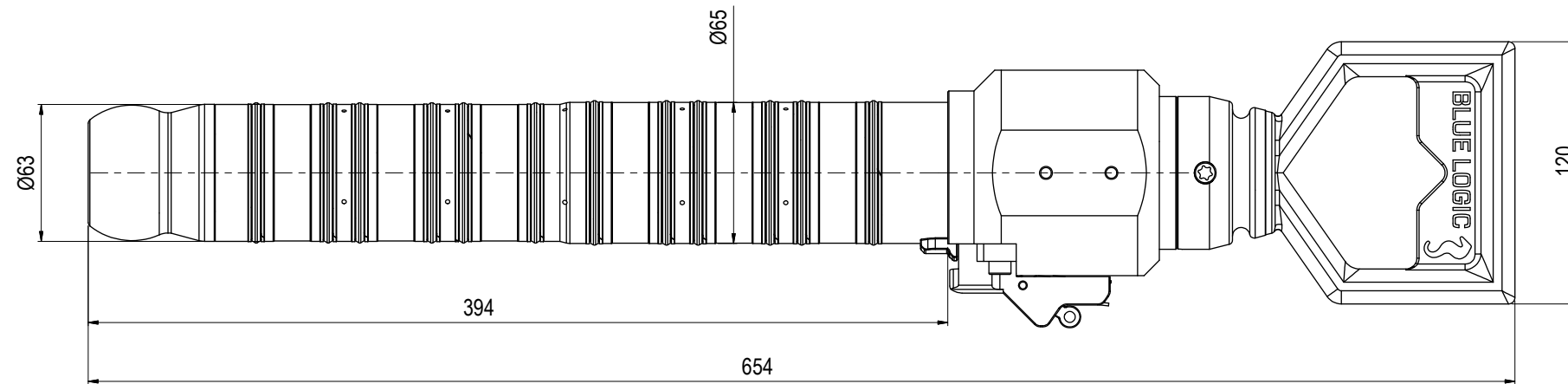
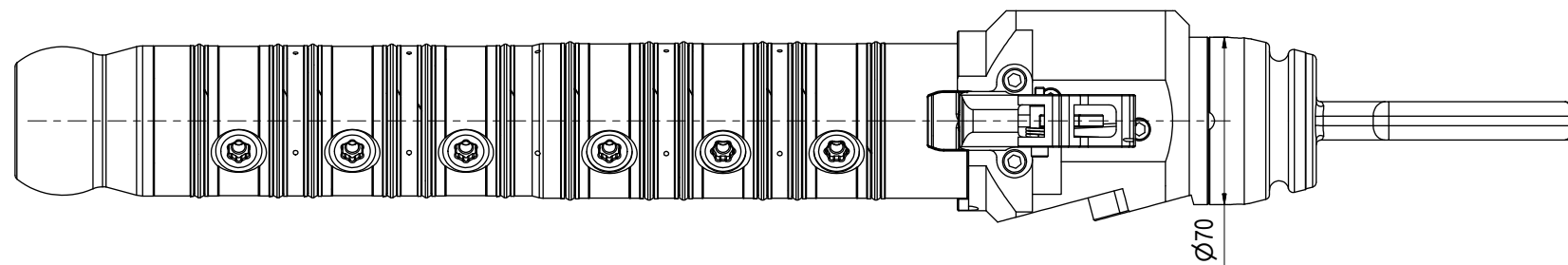
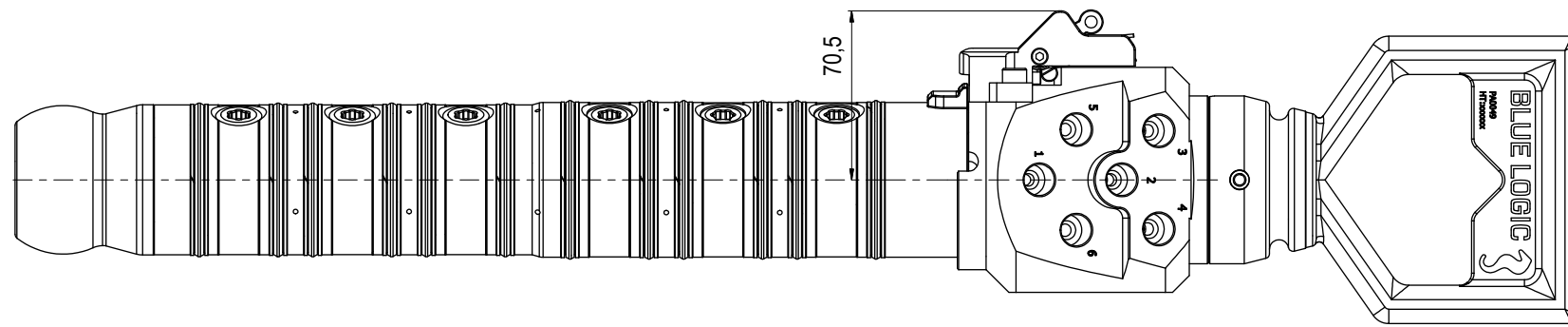


NOTE: 1  
 DESIGN CODE:  
 API 6A

NOTE: 2  
 TECHNICAL CLASSIFICATION:  
 Article Type: 003-Valve Stabs  
 Main Group: 3.08. Ø63/Ø65-Valvestab  
 Intermediate Group: 3.88.01 Stab  
 Sub Group: 3.88.418.05. Hexa

NOTE: 3  
 INTERFACE INFORMATION:  
 Pressure Rating Bar: 1035  
 Design Water Depth: N/A  
 Material: Long-term  
 Weight: 14,6 kg  
 Volume: 1,97 dm<sup>3</sup>  
 Submerged Weight: 12,63 kg  
 Surface Area: 5091 cm<sup>2</sup>  
 Hydraulic: 6x 3/8" MP  
 Mechanical: N/A  
 Electrical: N/A  
 Com. & Protocol: N/A



08	5.2.2026	9-IFU (Issued for Use)		WTJ	HNJ	WTJ
07	17.1.2023	9-IFU (Issued for Use)		WTJ	LGH	WTJ
06	26.11.2021	7-IFC (Issued for Construction)		WTJ	LGH	WTJ
05	16.9.2021	7-IFC (Issued for Construction)		WTJ	HNJ	WTJ
Rev.	Date	Reason for issue	Revision change	Made	Chk'd	Appr.



Dwg Scale:  
 NTS  
 Dwg Proj:  
 Dwg Format:  
 A3

Drawing title:  
 Ø63/Ø65 HP VStab 15K Long-term MP 3/8"

Drawing number:  
 BB5839

Rev:  
 08